



# THORK LIFT

HL - EHL

MANUEL AND SEMI ELECTRIC THORK LIFT

LEVEL CONTROL

INOX





## Thork Lift

Lift your pallets up from the floor to an ergonomically correct working position

With the Thork Lift, you no longer have to bend down and pick up objects from floor level - and this will boost not only your **performance**, but also your **workplace ergonomics** significantly.

It might seem as a minor adjustment to go from floor level to an ergonomically correct work height, but the results are nowhere near minor. Back pains and other physical strains are common among workers, who

repeatedly perform physical tasks (bending down, stretching, lifting, etc.), and the costs of sick days, replacement workers and downtime can be sky high.

You can avoid such issues by implementing skid lifts at all production and packaging lines, which will benefit the workers' physical and mental health.

In addition, it is much more time efficient to work at a correct

level. It is less draining and on top of working faster, the workers will remain more focused and efficient, as they are not limited by pains and strains.

The Thork Lift comes in a manual and semi electric version, and for the semi electric version you have the option to add on the level control.



Adjustable working height (option for remote control)

Can lift up to 3300 lbs (dual stage cylinder)

Original skid lift since 1980

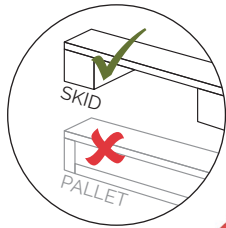


Upgrade with level control to ensure automatic adjusted working position for loading and unloading of pallets

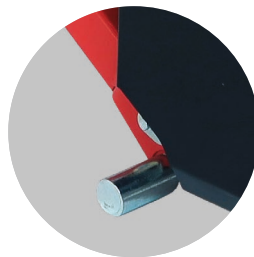
Ergonomically correct handle / Emergency stop centrally placed



Internal charger



Double wheels in the front to increase stability and prevent brake marks



Supporting feet at steering wheel



Foot protection in front of steering wheels

## Manual and semi electric Thork Lift (HL/EHL)

Transport and lift your pallets to a proper working height with little or no effort. The Thork Lift is a solid helper in any production or packaging environment. With a strong construction, elegant design and focus on easy of use and safety, it can transport pallets with loads of 3300 lbs and lift them up to a 18.5" adjustable working height.

Above 18.5" the lifting capacity is 2200 lbs.

**The manual version (HL)** requires low power for pump function, which protects the operator from unnecessary physical strains. With **the semi electric version (EHL)** no effort is needed other than pressing a button.

*We use a special oil for all products, which is tested in cold atmospheres down to at least -10 degrees C.*

## Inox

Our manual and semi electric Thork Lift also come in different stainless steel versions.

Your work environment decides which "level" is right for you, in terms of hygiene, harsh environments, atmosphere etc.

The manual Thork Lift is available in Inox, Inox Plus and anti static. The semi electric Thork Lift is available in Inox and Inox Plus.

Our stainless Thork Lifts are constructed of the highest quality stainless steel and always AISI 316L for fork chassis.

\*Please refer to our Inox brochure for more information.

## Level control

A unique add on for the semi electric Thork Lift is the level control.

Not only can you lift the pallets up to an ergonomic working position, but due to the sensors, the level control will ensure a constant correct working height.

Pre-set the preferred height, and the level control will adjust as you load and/or unload the pallet.

This saves both time and troubles, as it ensures a constant working height without having to regulate it manually along the way.

### STANDARD FEATURES

- ✓ Foot protector



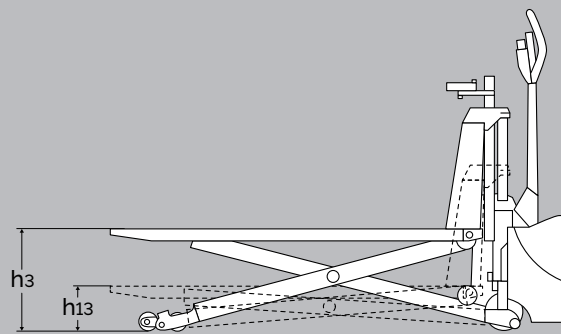
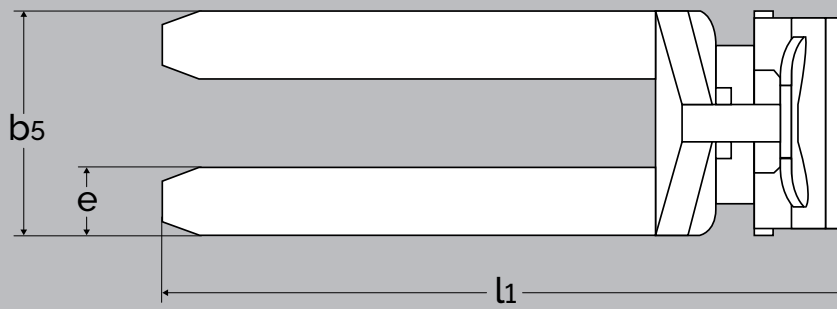
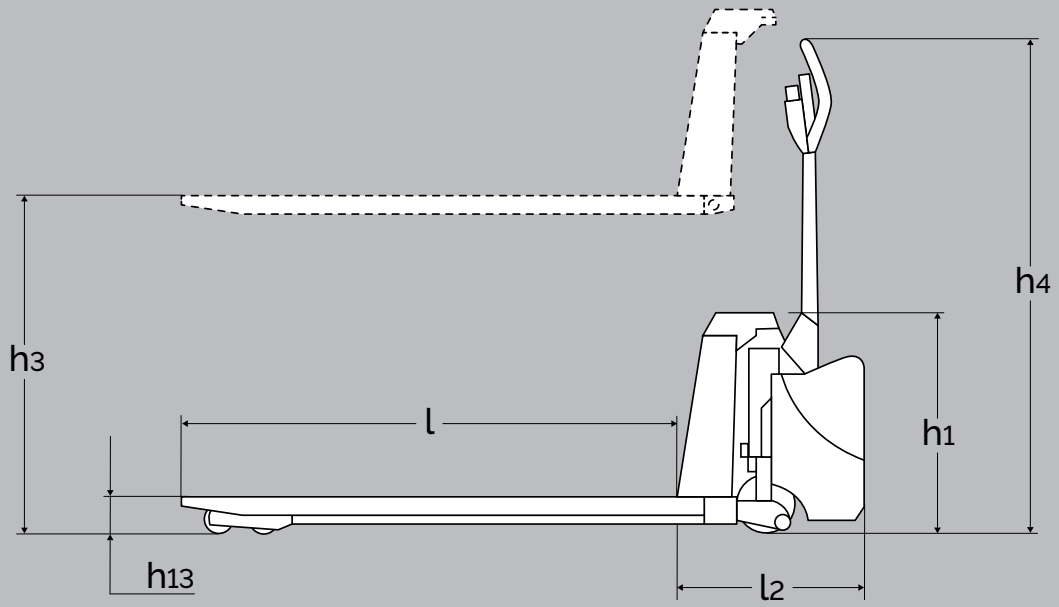


## Safety first

Safety should always be the top priority in work environments run by people. The available equipment should prevent and protect the operator from any kind of harm. That is the purpose of the Thork Lift. In addition to the ergonomic benefits of the design (ergonomic handle and rounded corners) and the adjustment of the working height, the Thork Lift has several important safety features:

- Foot protection.
- Good overview due to low overall height
- Supporting feet at steering wheel.
- Tandem wheels on scissors legs for increased stability

On top of this, the strong construction of the Thork Lift and the reliable cylinder gives it a long operating life with low maintenance costs. Actually, we have examples of customers who have Thork Lifts produced back in the 80s still operating - and with spare parts still available.

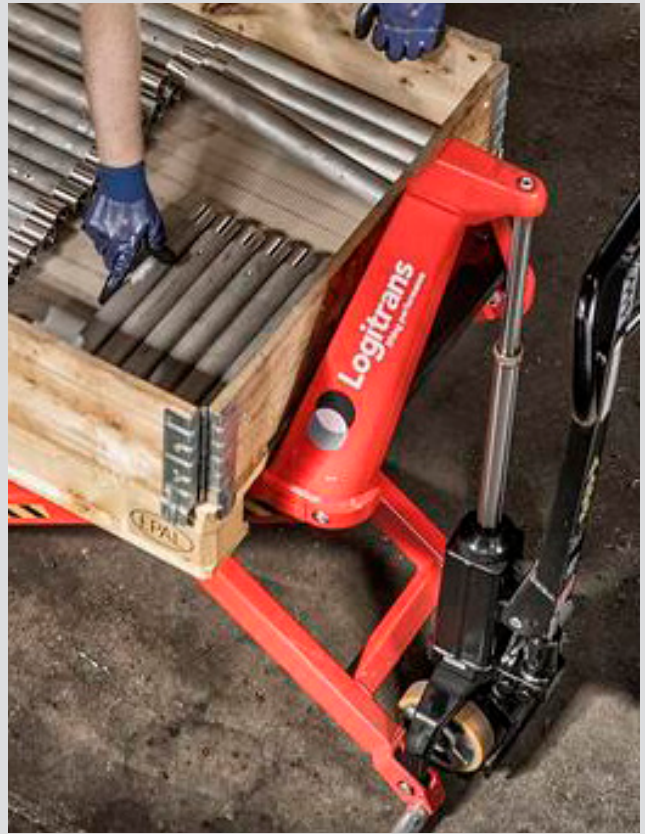


Semi electric Thork Lift with level control

PRODUCT (measured in inch)		HL 1006					EHL 1004				
Capacity in lbs		3300 lbs*				2200 lbs	3300 lbs*				2200 lbs
Lifting height	$h_3$	19.5	23.5	31.5	31.5	31.5	19.5	23.5	31.5	31.5	31.5
Fork length	$l$	27.5	35.5	47	60	79	27.5	35.5	47	60	79
Overall height	$h_1$	21.25					21.25				
Fork span	$b_5$	19, 21.25, 27				21.25, 27	19, 21.25, 27				21.25, 27
Length without forks	$l_2$	14					17.75				
Overall length	$l_1$	41.5	49.5	61.25	74	92.75	45.25	53.25	65	77.5	96.5
Overall height with handle	$h_4$	48.25					47				
Lowered height	$h_{13}$	3.25			3.5		3.25			3.5	
Fork width	$e$	6.5					6.5				
Turning angle of the wheels		230°					180°				
Gangway	$A_{st}$	72 (pallet: 47 x 31.5)					74.5 (pallet: 47 x 31.5)				
Lifting speed with/without load		-					2" / 3.2" per sec				
Lifting speed normal/quick		0.4" / 1.4" per pump					-				
Lowering speed		Without load 3.5" per sec.					With/without load: 2.75" / 2" per sec.				
Pump motor		-					1.2 kW 12 V				
Weight with 47" forks		240 lbs					271 lbs (no battery)				

\*The capacity changes from 3300 to 2200 lbs at the lifting height 18.5".

PRODUCT (measured in inch)		HIGHLIFTER	LOGIFLEX
Level control type		LC4	LC4
Detection range of photocell		4-79 (adjustable)	4-79 (adjustable)
Working height of photocell		19.3-38.2 (adjustable)	11.8-53.1 (adjustable)
Reaction time of photocell		1-25 seconds (adjustable)	1-25 seconds (adjustable)
Turnable photocell		+/- 30°	+/- 30°
Lifting height activated level control	$h_3$	31.5	35.5
Lowered height activated level control	$h_{13}$	8	8



## Quality **Ergonomic** Lifting Equipment

**Logitrans US Inc**

(888) 345-1270

[sales@logitrans.com](mailto:sales@logitrans.com)

[www.logitrans.com](http://www.logitrans.com)

